



Mobility Solutions

Bristol Street **Versa**



Versa Caravelle

Designed with families in mind





When quality, style and

The Versa Caravelle offers effortless, refined driving wherever you are going. The beautifully designed car like cabin will help you ease into your journey and the ride for the rear passengers and wheelchair user offers comfort with a touch of luxury.

The Versa Caravelle is available in short and long wheelbase variants. The standard short wheelbase model is suitable for the wheelchair user and up to 6 seated passengers (including the driver.) Twin sliding doors come as standard to allow ease of passenger access and wheelchair access can be from either an automatic side lift which stores discreetly beneath the vehicle, or an automatic tail lift to the rear.

Every Versa Caravelle comes with a choice of efficient 2.0 litre turbo diesel engines, and given that they're as economic as they are powerful and refined, you can look after your wallet as well as your passengers.

The Versa Caravelle is about the same length as a family saloon. It is crammed full of innovative ideas. There are safety and comfort features in abundance. There is no more stylish and luxurious wheelchair accessible vehicle available.



practicality meet





Attention to detail

Everything about the Versa Caravelle confidently whispers 'attention to detail'. The truly intuitive feature-packed dashboard, the innovative and highly versatile rear seating options, the comprehensive list of driver aids and safety features ... not to mention the incredible list of optional extras available from Volkswagen for you to truly personalise your vehicle.





The Versa Caravelle comes with an impressive amount of standard equipment:

- Body-coloured bumpers and electrically adjustable mirrors
- 16" Colmar/17" Thunder alloy wheels
- Driver's side and passenger side sliding doors with power-latching
- Rear tailgate with heated window and wash/wipe system
- Power steering
- Leather-covered steering wheel, handbrake and gear knob
- RCD 310 Radio/CD player
- Front electric windows
- Climatic air-conditioning
- Driver-side and front curtain, and passenger airbags
- Highly versatile rear seating from VW (either removable, adjustable, foldable single swivelling seats or three-seater bench)
- Multi-function table
- Rear heater
- Three-year, 100,000 mile, warranty and VW unlimited mileage recovery and assistance package

The Versa Caravelle Executive comes with many more features as standard, including:

- 17" Neva alloy wheels
- Automatic rain sensors
- Electric side-sliding doors
- Power-latching tailgate
- Alloy spare wheel
- Climatronic three-zone automatic air-conditioning
- Alcantara/leather upholstery
- Cruise control
- Heated driver and front passenger seats
- Privacy glass
- Servotronic speed-dependent power steering

All 5 year Motability lease vehicles also include as standard:

- Metallic paint



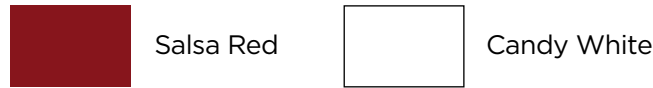
Critical dimensions

Entry height	1270mm
External height	1970mm
External length	4892mm
Rear lift platform length	1380mm
Rear lift platform width	755mm
Side lift platform length	1200mm
Side lift platform width	800mm



Vehicle Colours

Non metallic paint (no cost option)

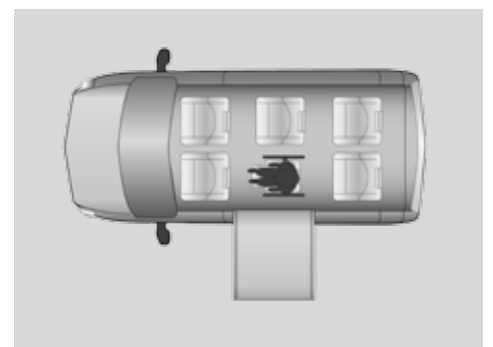
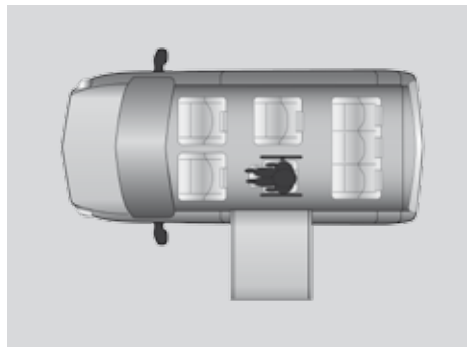
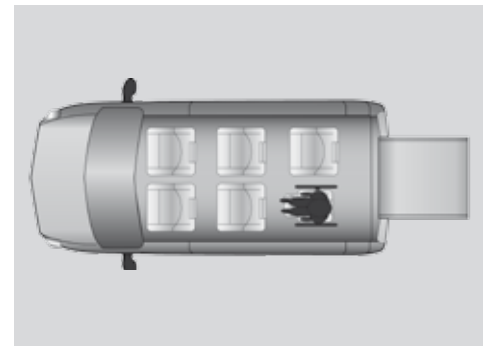
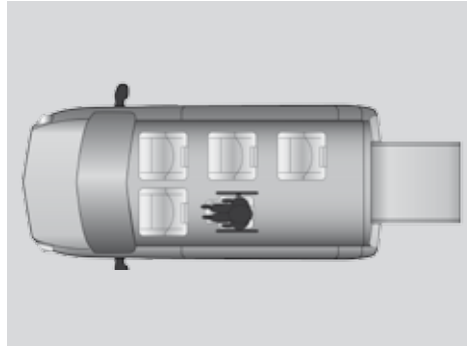


Metallic paint (extra cost option, standard on Motability vehicles)



Vehicle Layouts

The beauty of the Versa Caravelle is its versatility made possible by the innovative rail-mounted seating from Volkswagen that lets you create a perfect layout for your passengers. The vehicle comes with two longitudinally adjustable, swivelling and removable seats with ISOFIX child seat mounting points and then the choice of either a three-seat rear bench with ISOFIX mounting points on the outer two seats, or two more individual seats with armrests and ISOFIX mountings. Both options also come with a neat multi-functional table as standard. Shown here are four of the more popular layouts in the short wheelbase vehicle. There are alternative layouts available, including provision for two wheelchair occupants, which our Sales Executives would be happy to discuss with you. We also offer the long wheelbase variant of the Versa Caravelle to give our customers total freedom of choice.



Diamondbrite

Jewelultra Diamondbrite is a two stage paint protection and additional fabric protection which enhances the resale value of your Versa Caravelle/ protects your Motability good condition return bonus by protecting against pollution, bird lime, insects, tree sap and U.V. rays.

Diamondbrite is provided with a lifetime guarantee.

Optional Extras

Conversion Extras	Description
Floor mounted lighting system	Practical and stylish. A fully integrated lighting system to provide extra illumination for the safe and comfortable fitting of the restraints whilst adding unique design to the rear of the vehicle
Mudflaps and carpet mats	Volkswagen mud flaps are designed to help protect your vehicle's bodywork against mud, salt, stones, snow etc. They also aid visibility for following vehicles by reducing spray in wet weather conditions. Finish and protect the interior of your new Versa Caravelle with quality velour Volkswagen floor mats
Fire protection	An engine fire could prove catastrophic not only damaging a vehicle beyond repair but also potentially placing the vehicle occupants at risk. We can install a system which will not only quickly and accurately detect a fire but can also extinguish it before it can damage adjacent components. Most crucially it also provides valuable extra time for safely exiting all passengers and the wheelchair user from the vehicle in the unfortunate event of a fire
Puncture protection	Punctures are inconvenient, costly and potentially dangerous. We can install a tyre sealant system into your Versa Caravelle to give you the peace of mind if a puncture does occur, it will be sealed immediately with no loss of pressure or danger to your occupants. The seal will last until the end of the legal life of the tyre
Factory Fit Extras	Description
Alloy wheels upgrade	Six stylish alloy wheel options available, from the 16" Colmar, through to the range topping 18" Canberra multi-spoke design
Bluetooth touch phone kit	Control your phone by voice or the 2.8-inch colour touchscreen – and have your texts and emails read to you. Uses the vehicle's audio system, so you can also listen to music stored on your mobile
DAB – Digital audio reception	DAB offers more stations, a clearer signal and information about what's playing. Not compatible with satellite navigation
Electric folding mirrors	Electrically heated, adjustable and folding door mirrors
Heated seats	Heated driver and front passenger seats
Integrated child seat in first row	Booster cushion only, includes ISOFIX mountings
Kenwood DAB multimedia system	Combines sat nav, Bluetooth and DAB technology; also allows you to watch a DVD
Leather multi-function steering wheel	Includes display and controls for radio and mobile phone
Leather upholstery	Nappa leather available in 4 colours (includes the addition of heated front seats on the SE)
Metallic paint	Available in 9 colours (Standard on Motability vehicles)
Parking sensors	Front and rear
Rear privacy glass	Tinted windows for the privacy of rear passengers
Rear tailgate spoiler	A rear tailgate spoiler for a sporty look. Available in reflex silver, diamond black or candy white, or primed ready for painting to perfectly match your vehicle colour
Removable towbar	Removable towbar with 13-pin socket. An adaptor is available to allow connections to twin seven-pin sockets. Only one front towing eye with towbars
Roof load rack preparation	Roof load rack preparation
Tailgate bicycle holder	Quick and easy to install, and can carry up to four bicycles (with a 60kg load limit). Cannot be fitted with a rear spoiler
Towbar	Towbar – preparation with socket
Sliding centre windows	Sliding centre windows - left and/or right, fixed rear windows
Storage drawers	Three in base of rear bench seat, includes litter bin. Not compatible with rear seating for four
Swivel seats	Driver and passenger swivel seats
Xenon headlights	With LED daytime-running lights, including headlamp-washer system with heated water from washer jets and washer-fluid level indicator

These are the most popular extras. Our Sales Team would be happy to discuss other options available.



Moor Lane, Widnes, Cheshire WA8 7AL

08433 081 812

www.bristolstreetversa.com



@BristolStVersa



BristolStreetVersa



Motability