

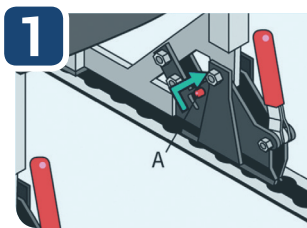
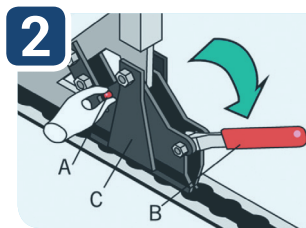
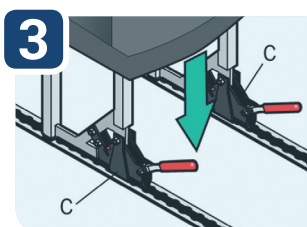
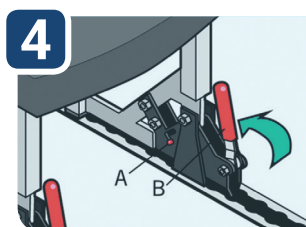
# Detachable Seats

Thank you for choosing us to supply your new vehicle.

Your vehicle has been fitted with detachable seats on simple and easy to use locking fittings for airline tracking.

Below is a guide to positioning and preparing the fittings for securing into tracking.

## Installing a seat

|   |   |  |  |
|---|---|--|--|
|   | <p><b>1</b> Align the seat legs, resting them on the tracking. Lift and hold the safety bolt (A)</p>                      |   | <p><b>2</b> Pull the handle (B) away from the fitting (C) to unlock. Repeat for the other seat leg</p>                 |
|  | <p><b>3</b> Lower the fittings into the tracking together, ensuring the front spigot sits into a hole on the tracking</p> |  | <p><b>4</b> Close the handles to lock the seat in position. The safety bolts should drop into their lower position</p> |

## Removing a seat

Removing is the reverse of installing. After unlocking the fittings, tip the seat forwards before lifting out of the racking.

The seat can be stood on it's fittings on a flat surface whilst being stored out of the vehicle, however be aware that the seat may fall over if not rested against something.

## Important Safety Notes

Whether occupied or not, ensure all seats are firmly locked into the tracking before travelling.

If the locking mechanism will not engage fully or there is another fault, do not allow anyone to travel in the seat and contact us.

If you have any questions about your vehicle, please do not hesitate to call us on **01924 442386** or email [customerservices@bristolstreetversa.com](mailto:customerservices@bristolstreetversa.com)